

S.R.S / CRIMPED

SRS (Safe Retention System) crimped system developed for the food and pharmaceutical industry. It avoids any steps and consequently blockage of delivered material between hose and fitting.

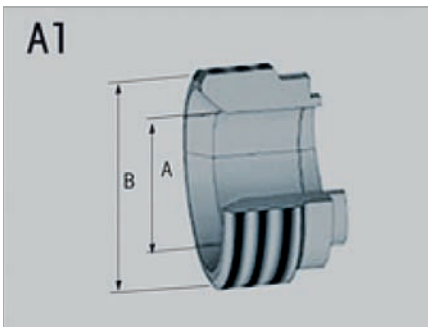
Standard din threads and clamp, other threads on request.

Different sizes available on request.

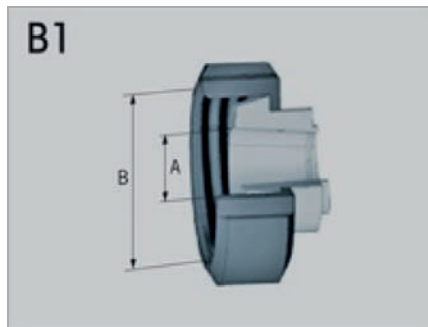
Suitable for: ARIANNA BIO, PHARMAPRESS, PHARMAPRESS HT, PHARMASIL/TPI, PHARMASTEEL, PHARMASTEEL PRESS HT, PLUTONE BIO, PLUTONE PR BIO, PLUTONE PU PRESS, PLUTONE PU PRESS AS, SILPRESS WIRE.

Technical Data

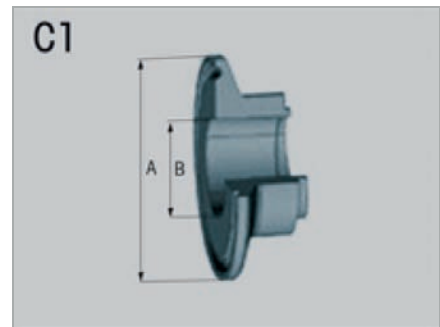
DIN Female	DIN Female	DIN Female		DIN Male	DIN Male	DIN Male		CLAMP	CLAMP
ND	A	B		ND	A	B		A	B
15	16	31,6		15	16	33,5		34	14
20	20	40,4		20	20	44		34	20
25	26	48,7		25	26	51,6		50,4	26,0
32	32	54,5		32	32	57,6		50,4	32
50	50	74,3		50	50	77,5		50,4	38,0
								64	50



DIN Male



DIN Female



CLAMP

STAINLESS STEEL