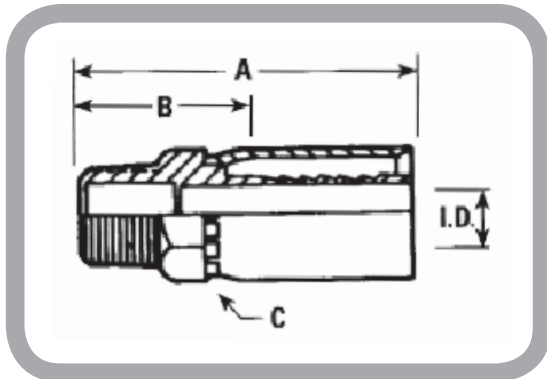


Male Pipe Rigid, Stainless Steel

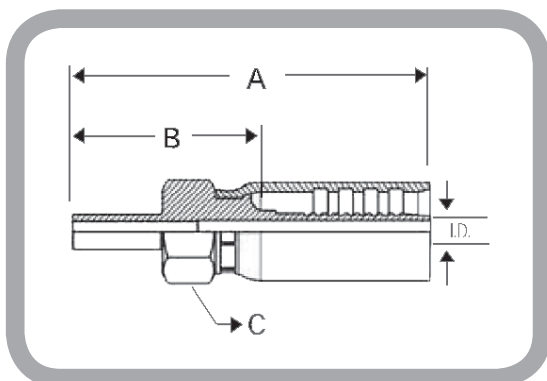
Permanent Attached Hose Fittings



Hose I.D	Pipe Size	Thread	Pusher 4599	Bore I.D	Length A	Cut Off B	Hex C	Former Part #
1/4	1/4	90L04-041000-0	MP004	.156	2.307	1-1/4	11/16	390L-04104
3/8	3/8	90L06-061000-0	M P005	.281	2.589	1-5/16	3/4	390L-06106
1/2	1/2	90L08-081000-0	M P009	.391	3.026	1-1/2	15/16	390L-08108
3/4	3/4	90L12-121000-0	MP011	.625	3.213	1-5/8	1-1/8	390L-12112
1	1	90L16-161000-0	MP013	.812	3.964	1-7/8	1-3/8	390L-16116

Stand Pipe Straight, Stainless Steel

Permanent Attached Hose Fittings



Hose I.D	Pipe Size	Fittings Parts #	Pusher 4599	Bore I.D	Length A	Cut Off B	Hex C	Former Part #
1/4	1/4	90A04-04J000-0	TP204	.156	2.495	1-7/16	5/8	390A-04J04
3/8	3/8	90A06-06J000-0	TP206	.281	2.752	1-1/2	3/4	390A-06J06
1/2	1/2	90A08-08J000-0	TP208	.391	3.195	1-11/16	7/8	390A-08J08
1/4	0.250	90L04-04J000-0	TP204	.156	2.495	1-7/16	5/8	390L-04J04
3/8	0.375	90L06-06J000-0	TP206	.281	2.752	1-1/2	3/4	390L-06J06
1/2	0.500	90L08-08J000-0	TP308	.391	3.195	1-11/16	7/8	390L-08J08

‡ Run-to-order product. Contact your sales representative for details
 Fittings are manufactured from plated steel. Dimensions are in inches unless otherwise specified