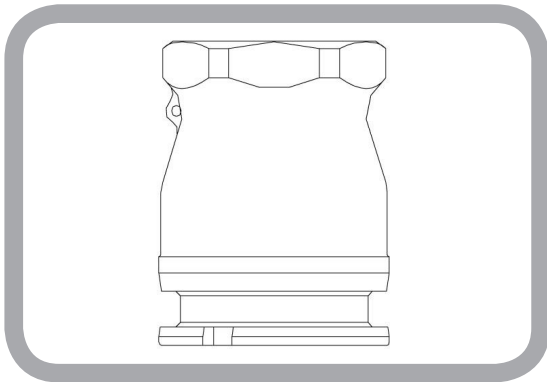


DDC TANK UNIT THREAD BSP (ISO 228)



1) Inch DN	Socket Ø	2) Connection	3) Material	Weight (KG)	Code no.
1" DN 25	56 mm	3/4 " BSP ISO 228 G 3/4	Al	0.3	T101A1101B
			Br	0.7	T101A2201B
			SS	0.7	T101A4401A
1" DN25	56 mm	1 " BSP ISO 228 G 1	Al	0.3	T103A1101B
			Br	0.7	T103A2201B
			SS	0.7	T103A4401A
2" DN50	70 mm	1 1/2" BSP ISO 228 G 1 1/2	Al	0.5	T207A1101B
			Br	1.3	T207A2201B
			SS	1.3	T207A4401A
2" DN50	70 mm	2" BSP ISO 228 G 2	Al	0.4	T210A1101B
			Br	1.1	T210A2201B
			SS	1.0	T210A4401A
2 1/2" DN65	105 mm	2 1/2" BSP ISO 228 G 2 1/2	Al	0.9	T312B1101B
			Br	3.9	T312B2201B
			SS	3.9	T312A4401A
2 1/2" DN65	105 mm	3" BSP ISO 228 G 3	Al	0.9	T314B1101B
			Br	3.2	T314B2201B
			SS	3.7	T314A4401A
3" DN80	119 mm	3" BSP ISO 228 G 3	Al	1.3	T414B1101B
			BR	3.6	T414B2201B
			SS	3.6	T414B4401A
4" DN100	164 mm	4" BSP ISO 228 G 4	Al	2.3	T516B1101B
			Br	7.5	T516B2201B
			SS	6.7	T516A4401A

1) Size of Coupling

2) Female thread. BSP=ISO 228, NPT=ANSI B1.20.3

3) Mtrl.: Al=Aluminium, Br=Brass, GM=Gun Metal, SS=Stainless steel