

APPLICATIONS

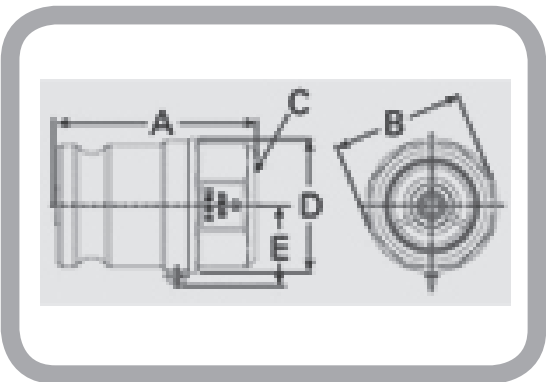
- To mate with OPW Kamvalok® Couplings to help prevent liquid spillage during the connection/disconnection process

MATERIAL

- Aluminum, 316 stainless steel; Wide range of seals – Available in Buna-N, Viton®, Teflon®, EPT, Chemraz®.

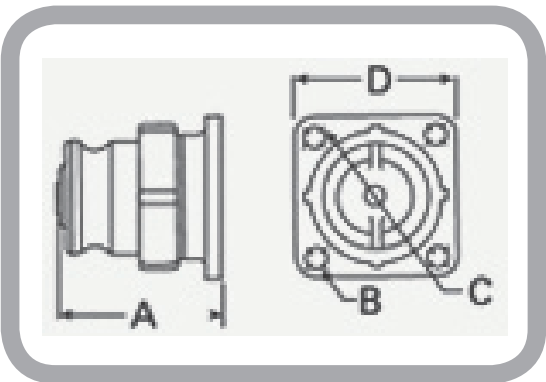
FEATURES

- Heavy-Duty Construction – Available in aluminum and 316 stainless steel construction.
- Female Threads – Can be fitted to either a male pipe end or to a hose fitting.
- Flanged End – Available for specific operations, including in-plant and transportation.
- Spring-Loaded Poppet Design – Assures fast closing and tight seal.



1611AN-1679AN

	Size In Inches (Nominal)		
	1-1/2"	2"	3"
A	4-3/4"	4-15/16"	6-17/32"
B	2-1/2"	3-1/4"	4-1/2"
C	1-1/2"	2"	3"
D	2-21/32"	3-1/4"	4-7/8"



	Size In Inches (Nominal)	
		2"
A	Overall Length	4-1/4"
B	Diameter of Bolt Holes	9/16"
C	Bolt Circle	4-1/2"
D	Square Flange	4-1/4"